

EXPLOSION GROUP IIB + H₂

RB.JB.. Series enclosures - Aluminium

RB.JB.. series enclosures offers Ex d IIB or IIB+H₂ mode of protection. They are suitable for hazardous areas of industrial plants for indoor and outdoor applications



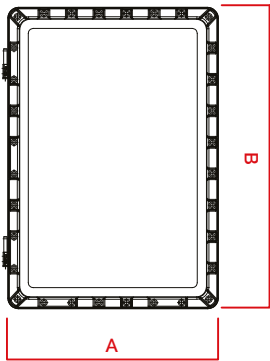
- They can be equipped with following components:
- Push buttons and mechanical operators PL.. Series;
- Rotating switches PSRC Series;
- Signalling lamps PL.. Series;
- Potentiometers;
- Rotating handles SRC-1 or SRC-10;
- Measurement instruments;
- Electric and electronic equipment;
- Windows made of tempered glass.

TECHNICAL FEATURES

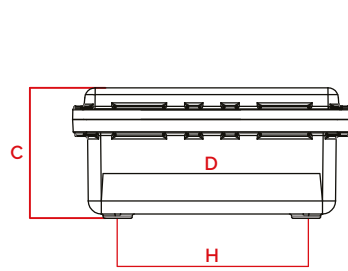
Material	Aluminium with low content of copper
IP rating	P65, IP66, IP67 with flanged joint coated with silicone grease
Ambient temperature range	-30 °C up to +50 °C
Approvals	IEP 17ATEX 0473 X
Marking	II 2 G Ex db IIB+H ₂ T4 Gb II 2D Ex tb IIIC T135°C Db IP65 or 66
Surface treatment	AL7032
Entries	Metric pitch 1.5, ANSI B1.20.1 NPT, UNI-6125
Hardware and screws	AISI316 Stainless steel external screws
Standard certificate label	Made by self adhesive UV and corrosion resistant polyester
Accessories available upon request	Drain/breather valve Door handle Traffolyte/Stainless steel certificate label

General Dimensions

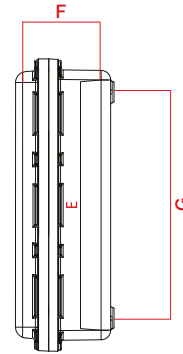
FRONT VIEW



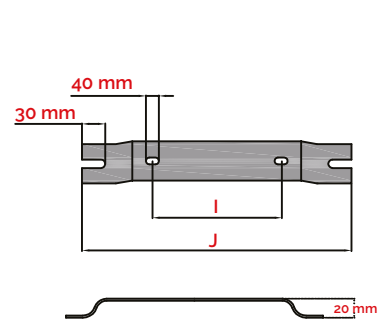
HORIZONTAL VIEW



SIDE VIEW



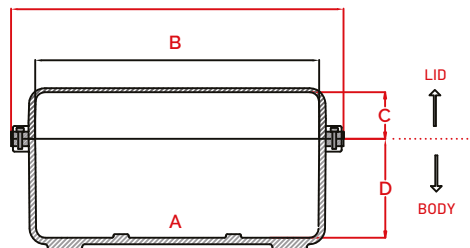
FRONT VIEW MOUNTING BRACKET



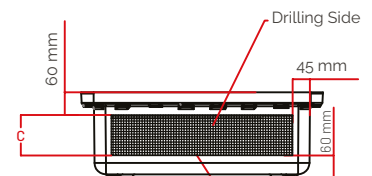
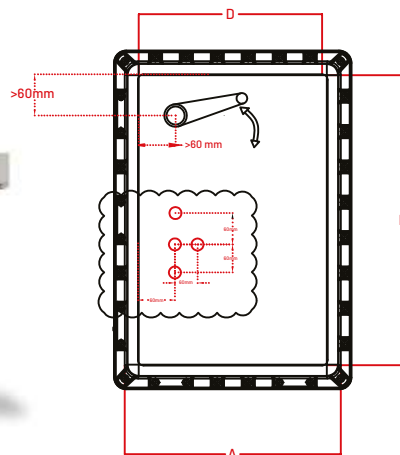
MODEL	GENERAL DIMENSIONS										MOUNTING PLATE
	A	B	C	D	E	F	H	I	J	N	
RB-JB.1	315	421	190	350	240	145	205	364	235	309	215x325 mm
RB-JB.2	425	521	240	440	345	190	300	452	320	395	315x415 mm
RB-JB.3	520	631	270	534	420	210	380	547	415	486	395x505 mm
RB-JB.4	628	900	335	780	505	250	432	635	475	703	480x750 mm

Tolerance Level $\pm\% 2$

DIMENSIONS FOR EXTERNAL DEPTH				
	A	B	C	D
RB-JB-1	315	264	40	142
RB-JB-2	425	370	52	191
RB-JB-3	520	462	62	206
RB-JB-4	628	550	110	220



Cable Gland Holes Details Chart



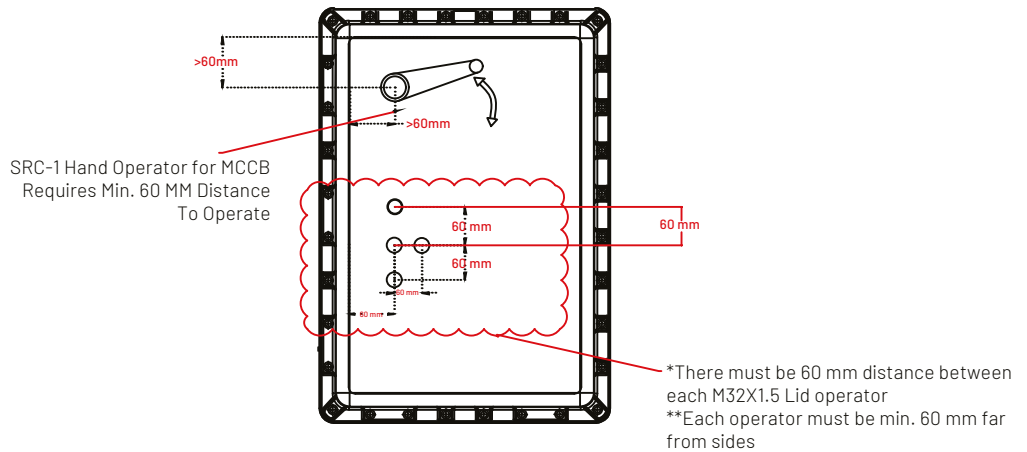
Ø holes for Robustex std. side-mounted handles centre-to-centre distance chart:

- M20 / 1/2" : 50 mm
- M25 / 3/4" : 50 mm
- M32 / 1" : 60 mm
- M40 / 1 1/4" : 65 mm
- M50 / 1 1/2" : 75 mm
- M63 / 2" : 95 mm

TYPE	MAXIMUM NUMBER OF ENTRIES ON A/B/C SIDES																		
	M20 / 1/2"			M25 / 3/4"			M32 / 1"				M40 / 1 1/4"			M50 / 1 1/2"			M63 / 2"		
	A	B	C	A	B	C	A	B	C	D	A	B	C	A	B	C	A	B	C
RB-JB.1	5	7	2	4	6	2	4	6	2	5	4	5	1	3	4	1	2	3	1
RB-JB.2	7	9	3	6	8	2	6	7	2	6	5	6	1	3	4	1	2	3	1
RB-JB.3	8	11	3	8	9	3	8	9	3	7	6	8	2	5	7	2	4	5	1
RB-JB.4	10	15	3	9	14	3	8	12	3	9	7	12	2	6	10	2	5	8	1

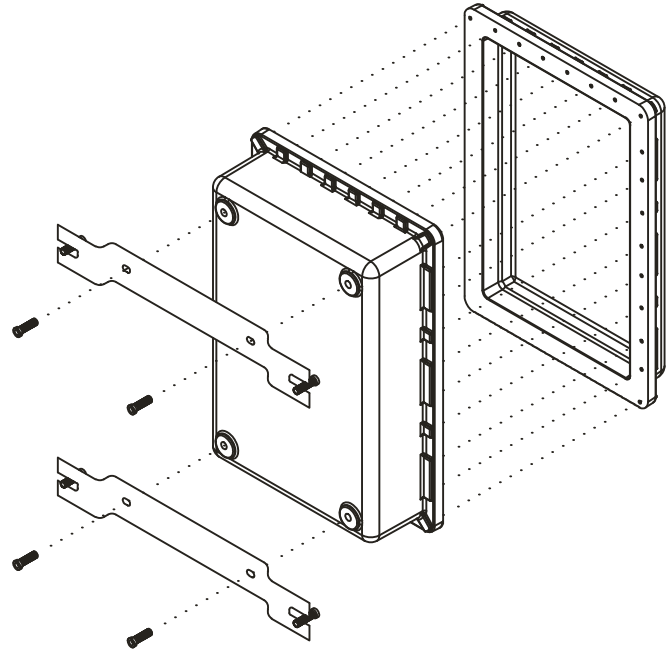
Note: As required by the current standard, holes can be drilled by Robustex or by authorized partners who hold a production notification in accordance with ATEX Directive .

Operator Numbers On Lid



Max. Number Of Operators To Be Mounted On Lid	
TYPE	M32x1.5
RB-JB-1	20
RB-JB-2	36
RB-JB-3	49
RB-JB-4	72

Standart Hinges and Mounting Brackets



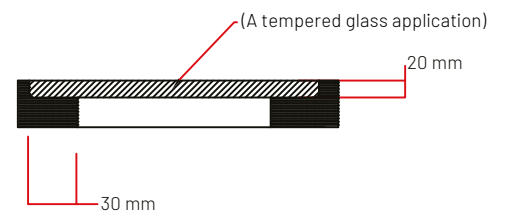
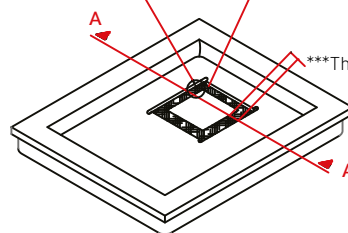
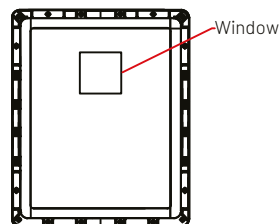
MODEL	Mounting Holes Distance	Screw Type
RB-JB-1	205 mm	M6 Allen Socket Cap Head Screw
RB-JB-2	300 mm	M6 Allen Socket Cap Head Screw
RB-JB-3	380 mm	M6 Allen Socket Cap Head Screw
RB-JB-4	435 mm	M6 Allen Socket Cap Head Screw

Tempered Window Glass Details



*Sealing is applied between glass and the lid

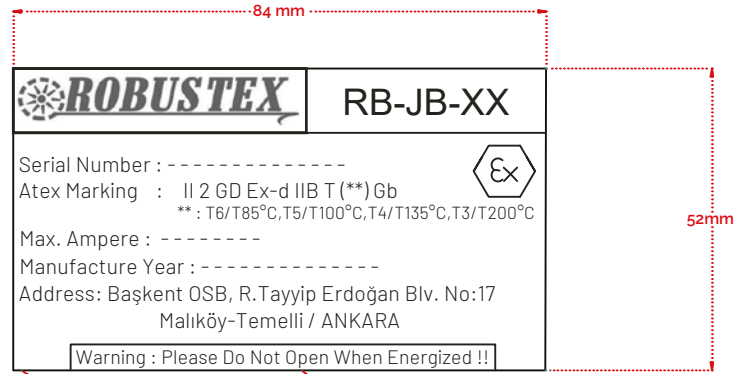
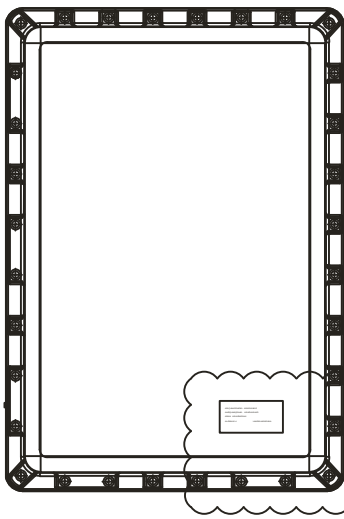
**There are extra metal frames holding the glass



Window Dimensions & Thickness Chart(Other Dimensions Available On Request)

TYPE	90*90 mm	100*150 mm	150*150 mm	200*150 mm	Tempered Glass Thickness
RB-JB.1	✓	✓			15 mm
RB-JB.2	✓	✓	✓		15 mm
RB-JB.3	✓	✓	✓	✓	15 mm
RB-JB.4	✓	✓	✓	✓	15 mm

Atex Label Details



ENGRAVED ALUMINIUM LABEL

	Max.Current Values
RB-JB-1	100 A
RB-JB-2	200 A
RB-JB-3	400 A
RB-JB-4	800 A

ALUMINIUM ATEX CERTIFICATE LABEL IS STICKED ON THE LID TO BE SEEN CLEARLY

Ex-Proof Socket Combination Boxes

We customize Ex - d type socket combination boxes by considering Atex Rules



(A socket combination box with 2 X Monophase Sockets + 1 X Triphase Socket)

Ex-Proof Panel Board Executions With Many Operators and Assembly of Two Enclosures

We can design as many buttons, switches on the lids according to your needs. There can be executions as assembly of 2 enclosures by conduit



Assembly of The Electrical Components

We can also assembly the electrical Components in RB.JB Ex-d Boxes with regards the limitations.



Standart Wooden Case For Shipping

We apply ISO 9001 & ISO 80079-34 Procedures very well and We have QAN As well. All enclosures are dispatched from Robustex Electrical Ltd in wooden cases which are specially manufactured for each RB.JB Modeli





CONTACT US

Emy Technic Lighting and Project Solutions



Mobile: +90 505 604 16 83



Address:Oruçreis Mh. Teksilkent Cd.
Blok No:A13 10-S 303 Kapı No:57
Esenler / İSTANBUL



tgunes@emyteknik.com
www.emyteknik.com



Robustex Elektrik İmalat Sondaj Ekipmanları Sanayi Ve Tic. Ltd. Şti.

info@robustex.com.tr

www.robustex.com.tr