



 **ROBUSTEX**



**MANUFACTURER OF EX-PROOF  
NORMAL & EMERGENCY TYPE  
LIGHTING FIXTURES**



[www.emytechnik.com](http://www.emytechnik.com)





## RB SERIES LINEAR LED LIGHTING FIXTURES WITH GRP BODY & UV RESISTANT POLYCARBONATE DIFFUSER

- ▶ RB Led is suitable for hazardous areas, both ATEX and IECEx zone 1, 2, 21 and 22. (Emergency Versions Are only Certified By ATEX)
- ▶ RB Led lighting fixtures are achieving IK 10 Protection with a UV Resistant polycarbonate diffuser and corrosion resistant high mechanical GRP Lower body
- ▶ The luminaire has a hinged geartray for easy access.
- ▶ Microswitch option which cuts energy for normal operation.
- ▶ All lighting fixtures are supplied ready for LOOP IN-LOOP OUT type connection.
- ▶ The use of high-power LED modules provides lumen output ranging from 3125 lm to 13700 lm with high efficiency and guaranteed durability.
- ▶ Emergency lighting fixture with internal battery for 3 hours (Optional)



### THE PRODUCT GROUPS ARE;

- ▶ RB 125 LED; 1X25W
- ▶ RB 130 LED; 2X30W
- ▶ RB 230 LED; 2X30W
- ▶ RB 150 LED; 1X50W
- ▶ RB 225 LED; 2X25W
- ▶ RB 250 LED; 2X50W
- ▶ RB 130 LED; 1X30W
- ▶ RB 230 LED; 2X30W

1/2/3 Hours emergency versions are also available.

\*There is always microswitch option which cuts of energy while opening a diffuser for inspection or maintenance.

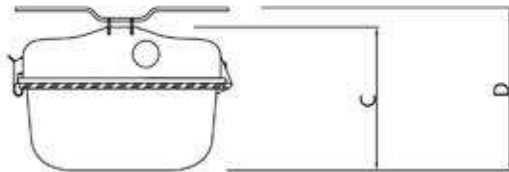
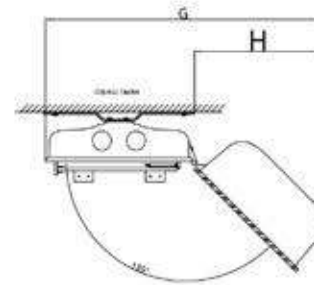
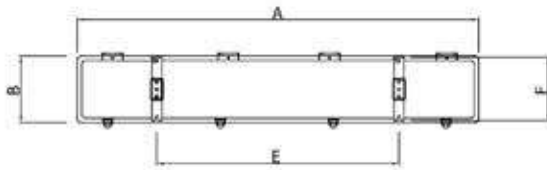


# ROBUSTEX RB LED

## LINEAR LED LIGHTING FIXTURES FOR ZONE 1/ZONE 2 HAZARDOUS ATMOSPHERES

### SHORT VERSIONS

TYPE	LAMP (W)	DIMENSIONS (mm)								COLOR TEMPERATURE (K)	LUMEN (LM)	WEIGHT (Kg)
		A	B	C	D	E	F	G	H			
RB 125 LED	1X25	790	243	145	160	270	223	215	225	4000/6000	3125/3445	6,5
RB 130 LED	1X30	790	243	145	160	270	223	215	225	4000/5700	3900	7
RB 225 LED	2X25	790	243	145	160	270	223	215	225	4000/6000	6250/6850	7
RB 230 LED	2X30	790	243	145	160	270	223	215	225	4000/5700	7800	7
RB 125 LED EM3H	1X25	790	243	145	160	270	223	215	225	4000/6000	3125/3445	8
RB 130 LED EM2H	1X30	790	243	145	160	270	223	215	225	4000/5700	3900	7,5
RB 225 LED EM3H	2X25	790	243	145	160	270	223	215	225	4000/6000	6250/6850	7,5
RB 230 LED EM2H	2X30	790	243	145	160	270	223	215	225	4000/5700	7800	9



### LONG VERSIONS

TYPE	LAMP (W)	DIMENSIONS (mm)								COLOR TEMPERATURE (K)	LUMEN (LM)	WEIGHT (Kg)
		A	B	C	D	E	F	G	H			
RB 150 LED	1X50	1310	243	145	170	800	223	215	225	4000/6000	6250/6890	4,5
RB 230 LED	2X30	1310	243	145	170	800	223	215	225	4000/5700	7800	11
RB 250 LED	2X50	1310	243	145	170	800	223	215	225	4000/6000	12500/13700	11
RB 150 LED EM3H	1X50	1310	243	145	170	800	223	215	225	4000/6000	6250/6890	11,5
RB 230 LED EM2H	2X30	1310	243	145	170	800	223	215	225	4000/5700	7800	12
RB 250 LED EM3H	2X50	1310	243	145	170	800	223	215	225	4000/6000	12500/13700	12,5



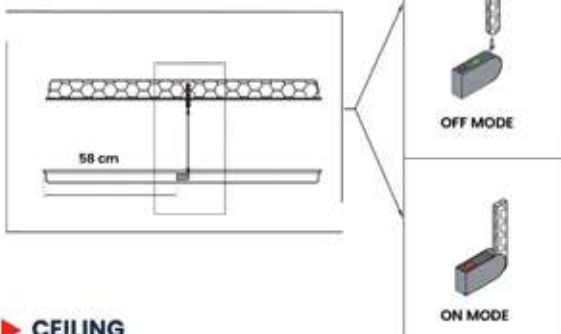
# TECHNICAL FEATURES



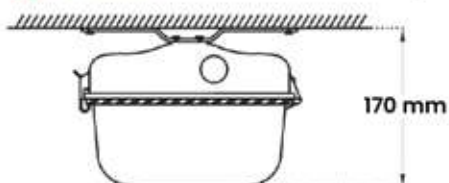
<b>MATERIAL</b>	<ul style="list-style-type: none"> <li>Transparent polycarbonate UV protected Diffusor</li> <li>GRP Lower Body</li> <li>Stainless steel clips</li> </ul>	<ul style="list-style-type: none"> <li>Hot dip galvanized mounting brackets</li> <li>Stainless steel screws</li> <li>Ex e polyamid cable glands</li> </ul>
<b>IP, IK RATING</b>	IP66 - IK 10	
<b>AMBIENT TEMPERATURE RANGE</b>	-20 °C to + 50 °C	
<b>APPROVAL</b>	ExVeritas 17 ATEX 0288 X	IECEX: IECEX Exv 17.0029X
	ExVeritas 19 ATEX 0449 X	IECEX: IECEX Exv 19.0449X
<b>ATEX MARKINGS</b>	<p>⊕ II 2G Ex e mb op is IIC T4 GB &amp; II 2D Ex tb IIIC T135°C Db (Normal Service)</p> <p>⊕ II 2G Ex db eb mb op ise IIC T4 Gb &amp; II 2D Ex tb IIIC T135°C Db (Emergency Service)</p> <p>Standards compliance IEC/EN 60079-0, 60079-1, 60079-7, 60079-18, 60079-28 and 60079-31</p>	
<b>ATEX ZONES</b>	Gas and Dust: zones 1&2, 21 & 22	
<b>CABLE ENTRIES</b>	- 1 polyamide cable gland M25 x 15 and 1 plug M25 x 15 for cable diameters 10 to 18 mm	
<b>POWER</b>	1x25w, 2x25w, 1x30w, 2x30w, 1x50w, 2x50w	
<b>DRIVER</b>	Ex Eb Mb ATEX Certified Electronic Driver For Normal Service And Driver with In-Built Inverter For Emergency Service	
<b>VOLTAGE</b>	220-240 Vac (normal and emergency service)	
<b>FREQUENCY</b>	0/50-60 Hz	
<b>CONNECTION</b>	Directly to the terminals L,N,PE. There is the through wiring system by 4mm <sup>2</sup> cable between terminals and it lets Loop in & Loop out connection	
<b>EMERGENCY VERSIONS</b>	- Availability of 60,120,180 Mins of duration with 1x Led Module by %10 Lumen	
<b>ACCESSORIES AVAILABLE</b>	Wall Mounting and Pole Mounting Kits Are Supplied According To Customer's Request. Ceiling Mounting kits are standart in the carton box	
<b>UPON REQUEST</b>	Ex-e Microswitch which switches off energy when the diffusor is opened. Ex-e microswitch is standart for emergency versions	

## ▶ NORMAL SERVICE MODEL

1xMICROSWITCH

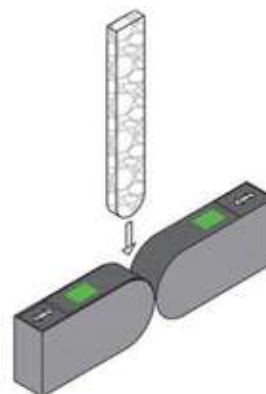


## ▶ CEILING

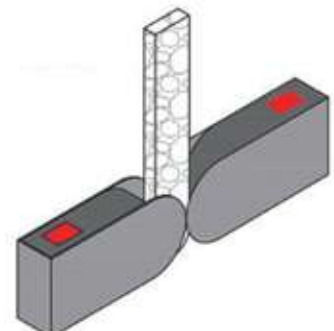


## ▶ DOUBLE MICROSWITCH SYSTEM FOR EMERGENCY KIT

• OFF POSITION FOR BALLAST AND BATTERY



• ON POSITION FOR BALLAST AND BATTERY





# ROBUSTEX RB LED

## Optional;

### ▶ Wall Mounting Kit

The wall mounting kit can be customized according to needs.



### ▶ Emergency Type

Our emergency lighting fixtures have 1 hr, 2 hrs , 3 hrs of emergency battery which can supply %10 of the normal type's lux level. Emergency Type Lighting fixtures are equipped with a mini led indicator on the reflector.

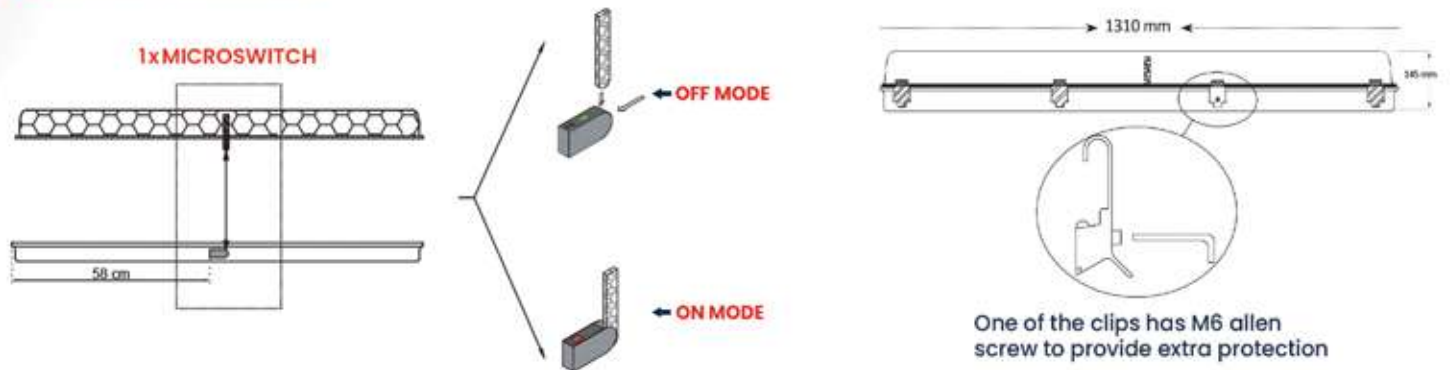
### ▶ Armoured Type Cable Gland

Lighting fixtures are standardly manufactured with 2 x M25 x 1.5 ex-e polyamide cable glands and 1 x M25 x 1.5 ex-e polyamide male plug. Armoured type metal cable glands can be offered upon request.



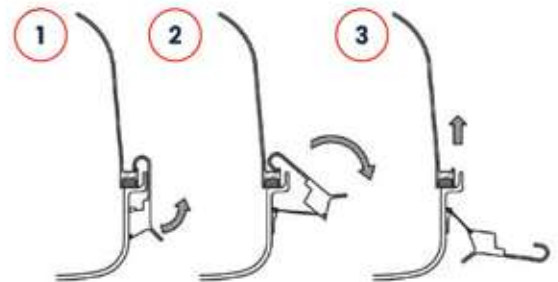
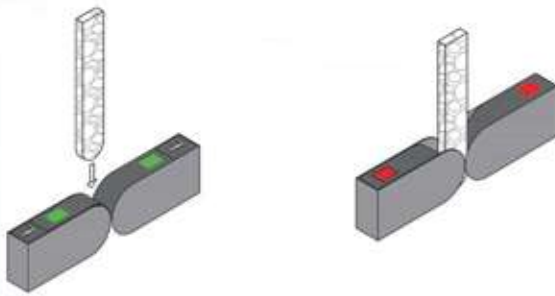
# OPTIONAL MICROSWITCH SYSTEM

## EMERGENCY LUMINAIRE

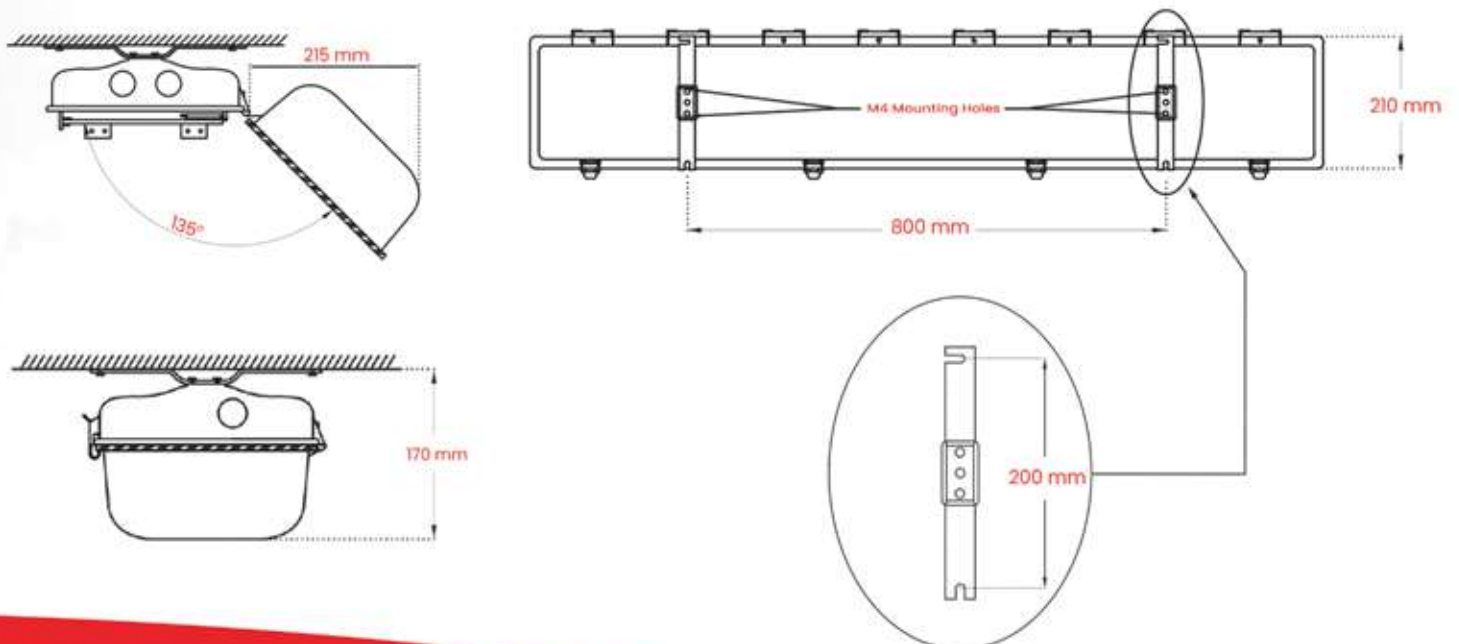


## DOUBLE MICROSWITCH SYSTEM FOR EMERGENCY KIT

- OFF POSITION FOR BALLAST AND BATTERY
- ON POSITION FOR BALLAST AND BATTERY



## HOT-DIP GALVANISED MOUNTING BRACKETS FOR CEILING (STANDART)





# ROBUSTEX RB LED

**RB 130 LED (1X30W) - RB 225 LED (2X25W) - RB 125 LED (1X25W)**  
**Emergency Versions Are Available Upon Request**

▶ **ISO 80079-34 Quality Standart Which is Applied For Whole Process.**



ISO/IEC 80079-34:2011 specifies particular requirements and information for establishing and maintaining a quality system to manufacture Ex equipment including protective systems in accordance with the Ex certificate.

Robustex is audited by Exveritas Denmark Auditors and inspected for compliance of ISO 80079-34 Regulations on a regular basis. Furthermore, besides being granted for QAN Certificate with ref. Number ExVeritas 16PQAN0017 which also published on lecex website, Robustex possesses the necessary criteria for EXd and Ex e type production.

▶ **Fastest Delivery Option With Raw Materials Stocks**

Always keeping a reasonable level of raw material and production components stock, Robustex provides the best and fastest solutions to satisfy customers' requests.



▶ **Well organised production which never compromises about discipline & planning**



Thanks to the experience gained in 40 years, Robustex has a strongly structured manufacturing team which consists of qualified engineers and technicians for Ex-proof and Electrical systems. Robustex Manufacturing Team is in close cooperation with Robustex Quality Assurance team who acts professionally in every step to satisfy ATEX&IECEX Regulations. Teams and machinery within Robustex is proudly growing every each year in parallel with market requirements.

# ROBUSTEX

SECTORS OF APPLICATION  
(ZONE 1 & ZONE 2 HAZARDOUS AREAS)



OIL&GAS



CHEMICAL



PHARMACEUTICAL



AGRIBUSINESS



DISTILLATION



SPRAYBOOTH



TEKSTİLKENT TİCARET MERKEZİ Oruçreis  
Mah. Tekstilkent Cad. Blok No: A13 10-S  
303 Kapı No: 57 Esenler / İstanbul /  
Türkiye

+90 212 803 19 19  
info@emyteknik.com

